

◆Rated Range and Recommended Measuring Range



Code	Rated Range (kPa)	Measuring Range (kPa)	Rated pressure (max)
A	-6 ~ 6	0 ~ 1 ~ 6	Flange nominal pressure
B	-40 ~ 40	0 ~ 6 ~ 40	
C	-100 ~ 100	0 ~ 40 ~ 100	
D	-100 ~ 400	0 ~ 100 ~ 400	
E	-100 ~ 4000	0 ~ 40 ~ 4000	
F	-100 ~ 32000	0 ~ 4000 ~ 32000	

◆Flange and Min Range Comparison Table

Flange Type	Nominal diameter	Minimum range
Flat Diaphragm Type	DN 50/2 "	1 KPa
	DN 80/3 "	1 KPa
	DN 100/4 "	1 KPa
Inserted Tube Type	DN 50/2 "	1 KPa
	DN 80/2 "	1 KPa
	DN 100/4 "	1 KPa

Flange Nominal Pressure

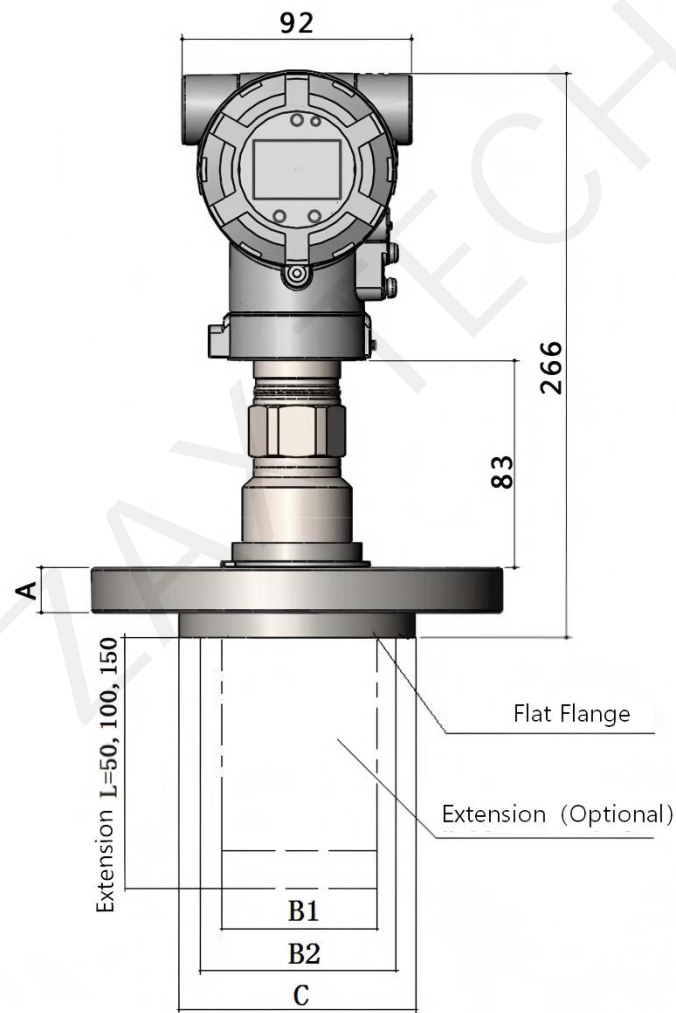
PN Series: PN2.5 to PN160

Class series: Class150 to Class2500

One-Way Overload Limit

Nominal Pressure of Flange .

◆ Dimensions



◆Intelligent Monocrystalline Silicon Flanged Pressure Transmitter Selection Table

Model	Code	Parameter Description
ZAXBAR26M	B	Flameproof Exd IIC T6
	D	Intrinsically safety Exia IIC T6
	L	Na
Extension	LT	Standard Flat-Flanged Pressure Transmitter
	CY	Inserted-Tube Type Pressure Transmitter
Range	1	0 ~ 1 ~ 6KPa
	2	0 ~ 6 ~ 40KPa
	3	0 ~ 40 ~ 100KPa
	4	0 ~ 100 ~ 400KPa
	5	0 ~ 400 ~ 4000KPa
	6	0 ~ 4000 ~ 32000KPa
Output	S1	4 ~ 20mA
	S2	4 ~ 20mA+ Hart
Accuracy	J1	±0.5%
	J2	±0.2%
	J3	±0.1%
	J4	±0.075%
Display	X1	LCD
	X2	OLED (Temperature Tolerate to min -40°C)
Electrical Connection	D1	M20*1.5 (standard)
	D2	1/2NPT
Mounting Bracket	B0	No mounting bracket
	B1	Pipe fitting bracket
Flange Material	22	304 stainless steel
	23	316L stainless steel

Diaphragm Material	N1	316L stainless steel
	N2	Hastelloy C
	N3	Monel
	N4	Tantalum
	N5	Titanium
	N6	Customized
Coating	T1	Na
	T2	Teflon Coating
Flange Size/ Standard	C1	DN50 (2")
	C2	DN80 (3")
	C3	DN100 (4")
	Dxx	DIN(GB) PN10/16/25...
	Axx	ANSI Class 150/300...
	Jxx	JIS 10K/20K...
	Z	Customer-specified
Extension Length	L10	0 (Flat Flange)
	L11	50mm
	L12	100mm
	L13	150mm
	Lxx	Customer-specified
Extension Material	Z0	No Inserted-tube
	Z1	304 stainless steel
	Z2	316L stainless steel
Capillary Length	F0	No capillary
	F1	1m
	F2	2m
	F3	3m

	Fx	Customer-specified
Fill fluid	G1	Silicone oil
	G2	Fluorocarbon oil
Example of selection	ZAXBAR26M-BLT2S1J2X1D1B022N1T1C1L10Z0F3G1 0~20KPa	

Selection note: Before selection, the user should clarify the temperature, corrosiveness, density, measurement range, and whether it is explosion-proof of the medium to be tested

ZAX TECH