

# ZAXDP32 Single-Flange Differential Pressure Transmitter



## ◆ Rated Range and Measuring Range

Code	Min Range (kPa)	Max Range (kPa)	Rated Pressure (max)
B	1	6	Rated Pressure of Flange
C	6	40	
D	40	400	
E	400	4000	

## ◆ Flange and Min Range Comparison Table

Flange Type	Nominal Diameter	Min Range
Flat Diaphragm	DN 50/2 "	10 KPa
	DN 80/3 "	1 KPa
	DN 100/4 "	1 KPa
Extension Type	DN 50/2 "	10 KPa
	DN 80/2 "	1 KPa
	DN 100/4 "	1 KPa

## Rated Pressure of Flange

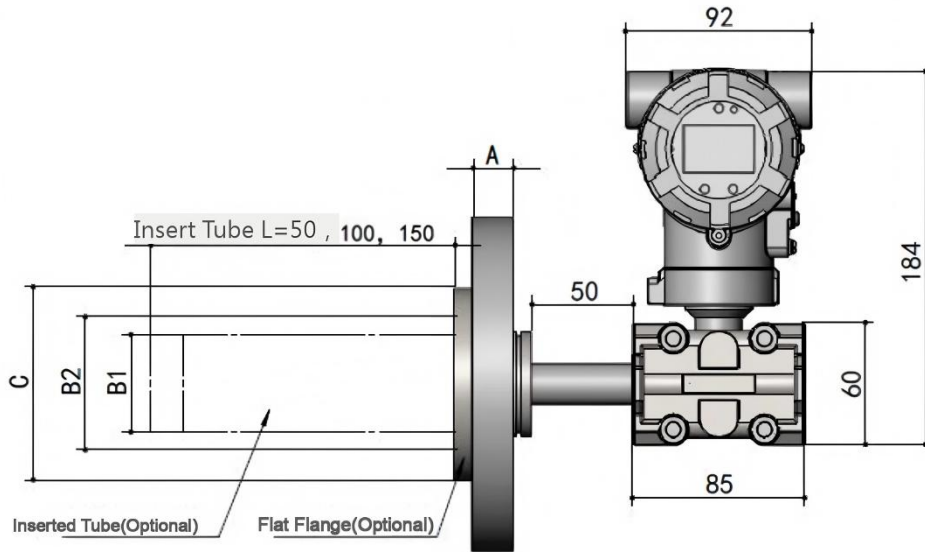
PN Series: PN2.5 to PN160

Class series: Class150 to Class2500

## One-Way Overload Limit

The low pressure side is the rated pressure of the transmitter, and the high pressure side is the rated pressure of the flange.

◆Dimensions



◆Intelligent Singe-Flanged Monocrystalline Silicon Differential Pressure Transmitter Selection Guide

Model	Code	Parameter Description
ZAXDP32	A	Flameproof Exd IIC T6
	C	Intrinsically safety Exia IIC T6
	W	Na
Extension	LT	Flat-Flange Type
	CY	With Extension Type
Range	1	1 ~ 6KPa
	2	6 ~ 40KPa
	3	40 ~ 400KPa
	4	400 ~ 4000KPa
Output	S1	4 ~ 20mA
	S2	4 ~ 20mA+Hart
Accuracy	J1	± 0.5%

	J2	±0.2%
	J3	±0.1%
	J4	±0.075%
Display	X1	LCD
	X2	OLED (Temperature Tolerate to min -40°C)
Electrical Connection	D1	M20*1.5 (standard)
	D2	1/2NPT
Mounting bracket	B1	No mounting bracket
	B2	Pipe fitting bend bracket
	B3	Pipe fitting flat bracket
	B4	Vertical bracket
Flange Material	22	304 stainless steel
	23	316L stainless steel
Diaphragm Material	N1	316L stainless steel
	N2	Hastelloy C
	N3	Monel
	N4	Tantalum
	N5	Titanium
	N6	Customized
Coating	T1	Na
	T2	Teflon Coating
Flange Size/ Standard	C1	DN50
	C2	DN80
	C3	DN100
	Dxx	DIN(GB) PN10/16/25...
	Axx	ANSI Class 150/300...
	Jxx	JIS 10K/20K...

	Z	Customer-specified
Extension Length	L10	0 (No Extension)
	L11	50mm
	L12	100mm
	L13	150mm
	Lxx	Customer-specified
Extension material	Z0	No Inserted-tube
	Z1	304 stainless steel
	Z2	316L stainless steel
Capillary length	F0	No capillary
	Fxx	Customer-specified
Fill fluid	G1	Silicone oil
	G2	Fluorocarbon oil
Caliberation Range		
Example of selection	ZXDP32-ALT1S1J2X1D1B022N1T1C1D16L11Z1F0G1 0~20KPa	

### Selection note:

Before selecting the model, users should clarify the temperature, corrosiveness, density, measurement range, explosion-proof requirement etc.