

ZAXDP 33 Double-flanged Differential Pressure Transmitter



◆ Rated Range and Recommended Measuring Range

Code	Min Range	Max Range	Rated pressure (max)
B	1 KPa	6 KPa	Rated Pressure of Flange
C	6 KPa	40 KPa	
D	40 KPa	400 KPa	
E	400 KPa	4 MPa	

◆ Flange and Min Range Comparison Table

Flange Type	Nominal diameter	Minimum range	
		One-way remote	Remote Dial
Flat-Flanged	DN 50/2 "	10 KPa	10 KPa
	DN 80/3 "	6 KPa	1 KPa
	DN 4 "	6 KPa	1 KPa
Extension Type	DN 50/2 "	10 KPa	10 KPa
	DN 80/2 "	6 KPa	1 KPa
	DN 4 "	6 KPa	1 KPa

Rated Pressure of Flange

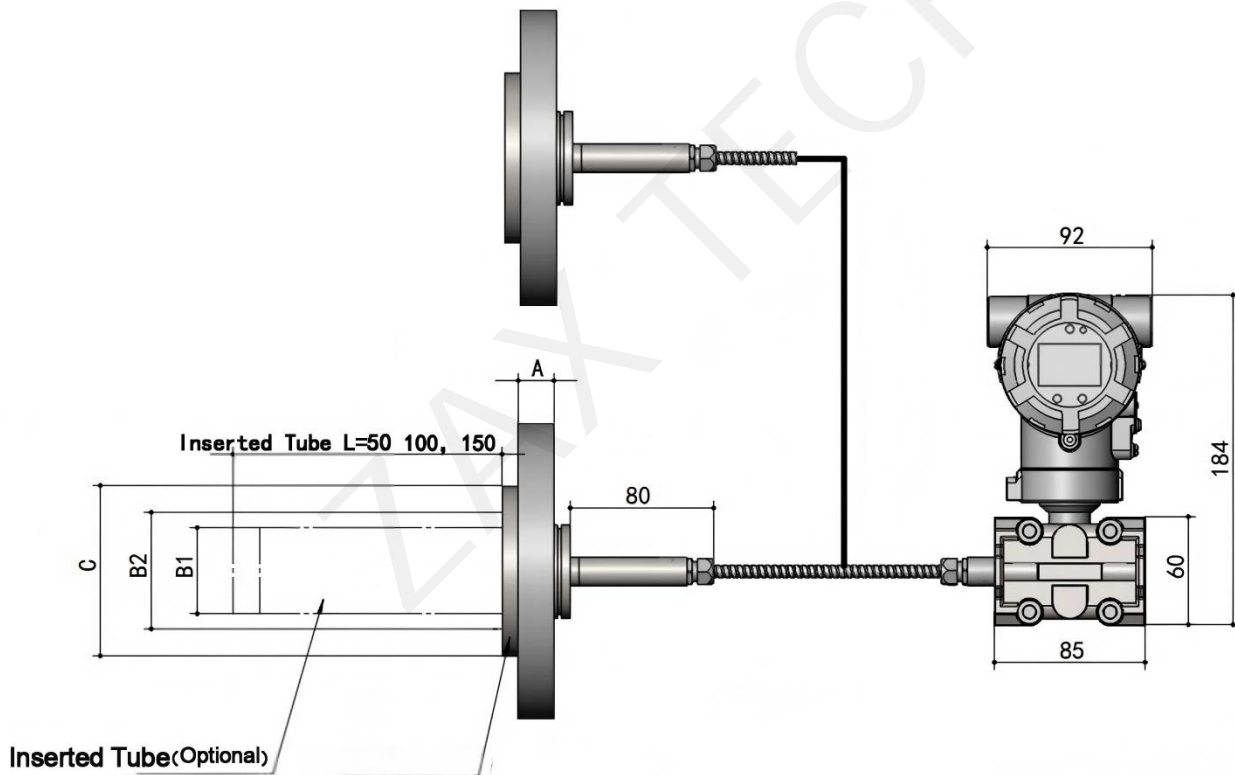
PN Series: PN2.5 to PN160

Class series: Class150 to Class2500

One-Way Overload Limit

The overload limit on the high and low pressure sides is the rated pressure of flange,

◆Product dimensions



◆Double-flanged Differential Pressure Transmitter Selection Guide

Model	Code	Parameter Description
ZAXDP33	A	Flameproof Exd IIC T6
	C	Intrinsically safety Exia IIC T6
	W	Na
Extension	DY	Flat-Flange Type
	GY	With Extension Type
Range	1	1 ~6KPa
	2	6~40KPa
	3	40~250KPa
	4	250~4000KPa
Output	S1	4~20mA
	S2	4~20mA+Hart
Accuracy	J1	±0.5%
	J2	±0.2%
	J3	±0.1%
	J4	±0.075%
Display	X1	LCD
	X2	OLED (Temperature Tolerate to min -40℃)
Electrical Connection	D1	M20*1.5 (standard)
	D2	1/2NPT
Mounting Bracket	B1	No Mounting Bracket
	B2	Pipe Fitting Bend Bracket
	B3	Pipe Fitting Flat Bracket
	B4	Vertical Bracket
Flange Material	22	304 stainless steel
	23	316L stainless steel

Diaphragm Material	N1	316L stainless steel
	N2	Hastelloy C
	N3	Monel
	N4	Tantalum
	N5	Titanium
	N6	Customized
Coating	T1	Na
	T2	Teflon Coating
Flange Size/ Standard	C1	DN50
	C2	DN80
	C3	DN100
	Dxx	DIN(GB) PN10/16/25...
	Axx	ANSI Class 150/300...
	Jxx	JIS 10K/20K...
	Z	Customer-specified
Extension	Y0	Double flat flanges
	Y1	Both Flange with Extension(Inserted-tube)
	Y2	High-pressure Side with Extension, Low-pressure Side without Extension
	Y3	High-pressure Side without Extension,Low-pressure Side with Extension
Extension Length	L10	0 (No Extension)
	L11	50mm
	L12	100mm
	L13	150mm
	LX	Customer Specified
Extension Material	Z0	No Extension
	Z1	304 stainless steel

	Z2	316L stainless steel		
Capillary Length	High-pressure Side		Low-pressure Side	
	H0	No Capillaries	L0	1m
	H1	1m	L1	2m
	H2	2m	L2	3m
	H3	3m	Lx	Customer Specified
	Hx	Customer-specified		
Fill Fluid	G1	Silicone Oil		
	G2	Fluorocarbon Oil		
Caliberation Range				
Example of Selection	ZX3351-ADY2S2J2X1D1B222N1T1C1Y0L10Z0H1L1G1 0~20KPa			

Selection Note:

Before selecting the model, users should clarify the temperature, corrosiveness, density, measurement range, explosion-proof requirement etc